

KIEN1000-PSE

➤ Overview

KIEN1000-PSE is a PoE-enabled PSE (Power Sourcing Equipment) industrial Ethernet switch. It offers eight feeding RJ45 ports, which supply DC24V voltage and up to 300mA current to remote Ethernet instruments or PoE Powered Devices (PD).



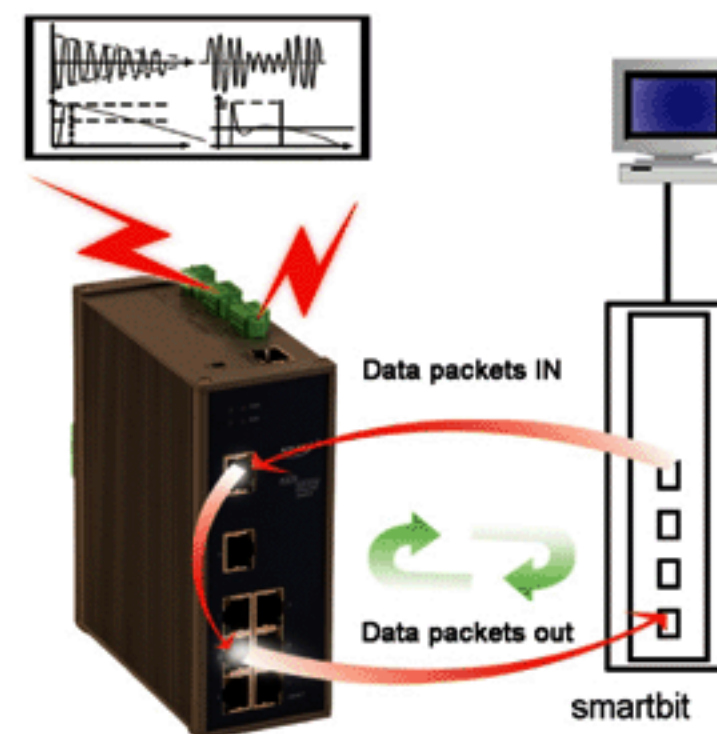
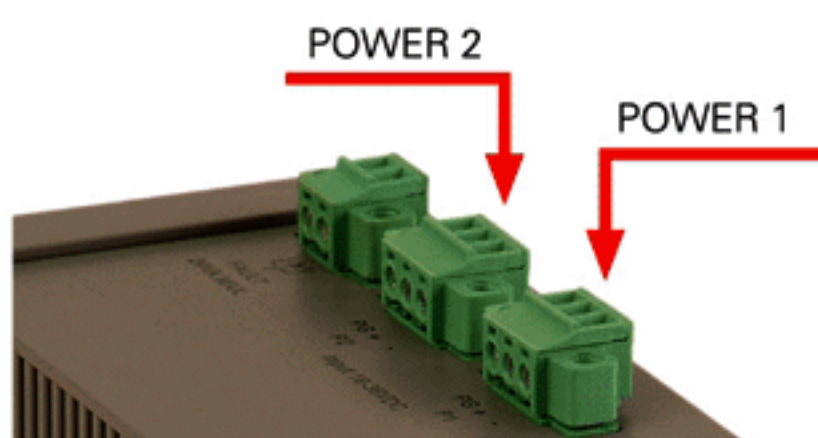
➤ Features

High-performance Industrial Ethernet Switch

1. 10/100Base-T/TX Ethernet ports, adaptive, full/half duplex, Auto MDI/MDI-X connection.
2. Each RJ45 port supplies power; feed-voltage: DC24V; feed-current: 300mA max.
3. Store-and-forward switching mode conforms to IEEE802.3/802.U/802.3X.

Industrial Power

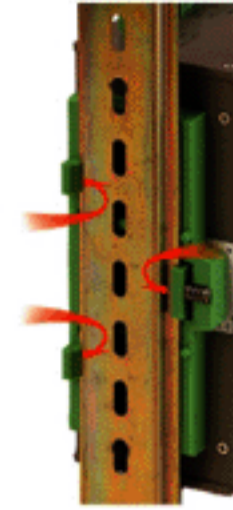
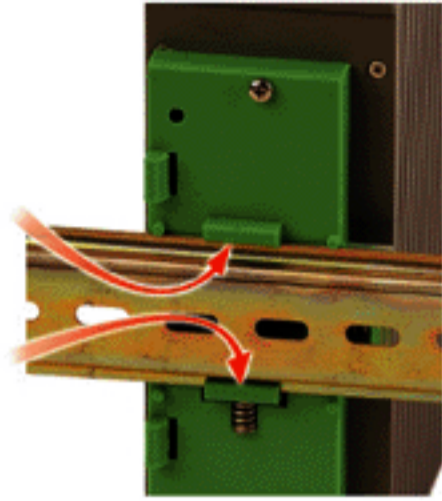
1. Industrial power input of DC24V (DC18V ~ 36V) .
2. Reliable protection for EMC and against over-current/over-voltage.
3. Redundant power input.



Rugged Design

1. Ribbed heat-removal design(fanless); operation at -35°C to +75°C
2. Solid IP40 housing

3. Easy DIN-Rail mounting or optional wall-mounting.



➤ Main Functions

LED Indicator

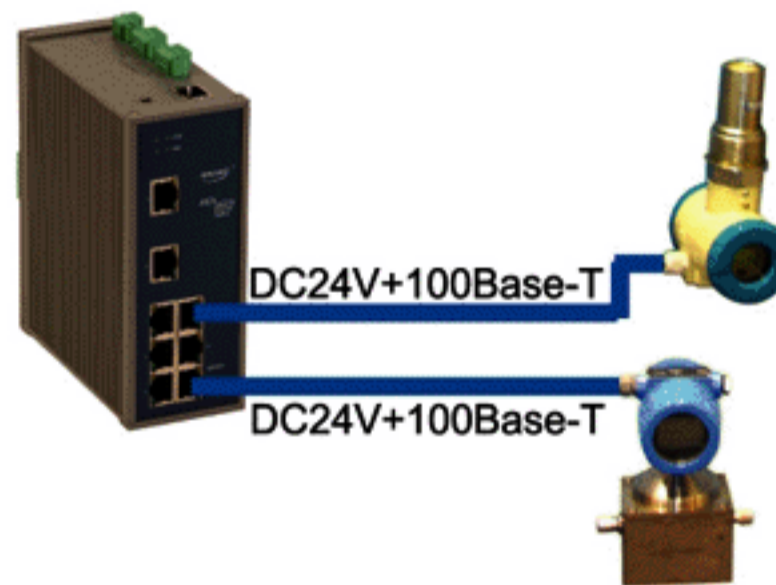
The LEDs of the front panel indicate the port status correctly including transmission rate, link status and system status.

Layer-2 Switching

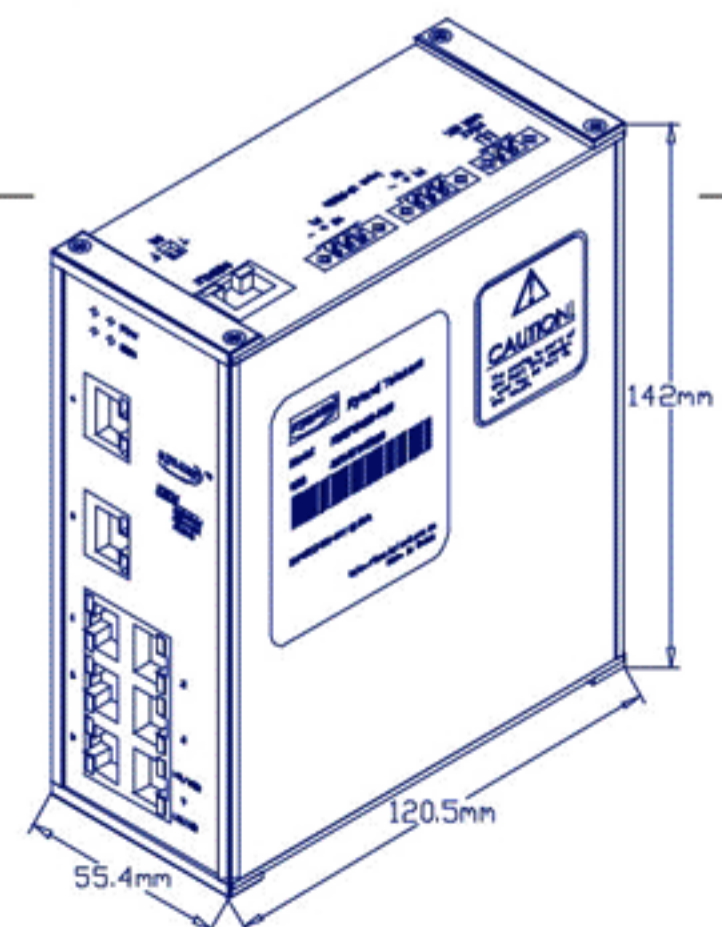
Switches work in two ways: Cut-Through and Store-and-Forward. In Cut-Through, a data packet is immediately relayed further after detecting the target address; in Store-and-Forward, a data packet is first read-in completely and checked for errors before the switch relays the same. KIEN1000-PSE employs Store-and-Forward that is a switching mode widely used.

Power Sourcing

Each RJ port supplies DC24V voltage and up to 300mA current to remote Ethernet instruments or PoE Powered Devices (PD).



Dimensions: 55.4mm x 142mm x 120.5mm(W x H x D)



Parameters

Product

Model: KIEN1000-PSE

Description: PoE-enabled Industrial Ethernet Rail Switch, store and forward switching mode, Ethernet (10 Mbit/s) and Fast-Ethernet (100 Mbit/s).

Port type and quantity: 8 x 10/100Base-T/TX, TP cable, RJ45 socket (shielded), Auto-Negotiation, Auto MDI/MDI-X connection, power-feeding

Feed voltage: DC24V

Feed current: 300mA Max

More Interface

Power Terminal: 2 x DC power terminal, 3-core

Network size – length of cable

Twisted pair (TP): 100m

Network size – cascading

Line / star topology: Any

Power requirements

Power input: DC 18V ~ 36V redundant power supply

Power consumption: <64W(when feeding power)

Transfer Rate: <6W (when no feeding power)

Performance

Transfer Rate: 148810pps

MAC Address Table Size: 1K

Service

Diagnostics: LEDs (power, link status, port rate)

Redundancy

Redundant 24V power supply

Ambient conditions

Operating temperature: -35°C to +75°C

Storage/transport temperature: -45°C to +85°C

Relative humidity (non-condensing): 10% to 95%

MTBF: 10years

Mechanical construction

Dimensions(W x H x D): 55.4mm x 142mm x 120.5mm

Mounting: DIN-Rail or Wall mounting

Protection class: IP40

EMC interference immunity

EN 61000-4-2 electrostatic discharge (ESD): ±4 kV contact discharge, ±8 kV air discharge

EN 61000-4-3 electromagnetic field: 10 V/m (80 – 1000 MHz)

EN 61000-4-4 fast transients (burst): ±2 kV power line, ±1 kV data line

EN 61000-4-5 surge voltage: Power line: ±2 kV (line/earth), ±1 kV (line/line), ±1 kV data line

EN 61000-4-6 conducted immunity: 3 V (10 kHz – 150 kHz), 10 V (150 kHz – 80 MHz)

EMC emitted immunity

FCC CFR47 Part 15: FCC CFR47 Part 15 Class A

EN 55022: EN 55022 Class A

Approval

Certificate: FCC, CE, UL

Order Information

Model	Description
KIEN1000-PSE	8 x 10/100Base-T/TX, TP cable, RJ45 socket (shielded), power-feeding